

LENDAR DESIGN INC

1360 Mont-Hibou, Sainte-Adèle, Qc, Canada J8B 1X7

Tel.: 450 229-5597

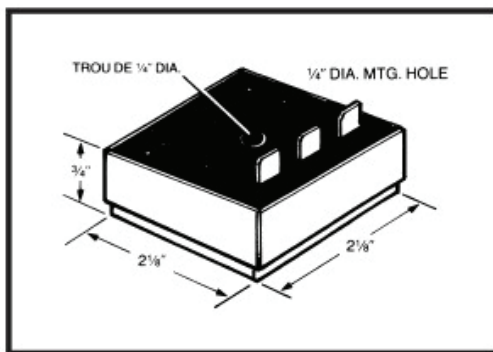
lendar@lendar.com

lendar.com

AC FLASHER

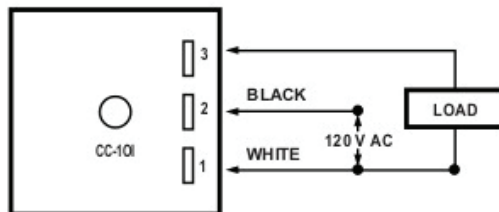
Low and Medium Power

- Totally Solid State - Noiseless Operation - No mechanical contacts.
- Encapsulated - Protected against shock, vibration, and moisture.



MODEL CC-10 I

CONNECTION DIAGRAMS



SPECIFICATIONS

- Mode of Operation: ON/OFF recycling flasher
- Operating Voltage: 120 volts AC \pm 15%, 50/60 Hertz
- Maximum current: 10 amperes/circuit
- Flash Rate: 10 to 120 operations per minute \pm 10%
- Load Type: Inductive, resistive or incandescent
- ON/OFF Ratio: 50% approximately
- Inrush: 10 times steady state current

- Feature: This flasher is equipped with circuitry that turns on the output switch at zero degrees in the line voltage cycle. This will add significant life to both the output switch and the lamp loads

Notes: 1) The units must be mounted to metal surface for proper heat dissipation. Maximum housing temperature not to exceed + 80°C at maximum current rating.

2) Also available with adjustable flash rate. When ordering, add - V to model no.