

# LENDAR DESIGN INC

1360 Mont-Hibou, Sainte-Adèle, Qc, Canada J8B 1X7

Tel.: 450 229-5597

lendar@lendar.com

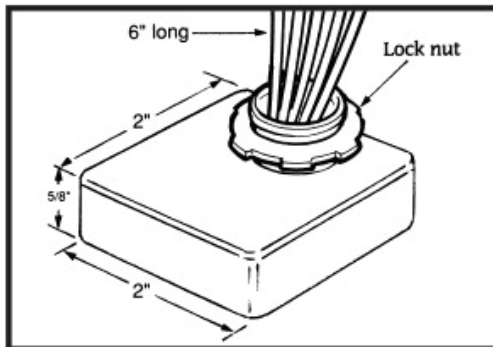
lendar.com

## AUXILIARY ARC LAMP CONTROL Model LD-2

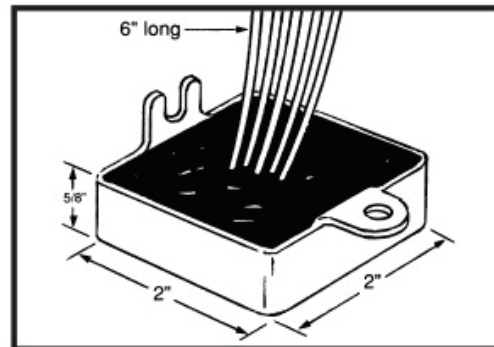
### SPECIFICATION SHEET AND OPERATION

- This relay will turn on the auxiliary arc lamp (quartz or incandescent) during a cold start or a hot start and will turn it off automatically when the HID lamp has reached its acceptable intensity level.
- This relay can be used on most of HID lamp up to 450 watts **reducing the inventory of relays.**
- It is a solid state encapsulated device which makes it compact and noiseless.
- It is supplied with 200°C leads and will work at 96°C on housing near rivet.
- It is rated 400 watts at 120 volts for the auxiliary lamp.

**NOTE: This relay doesn't work on CWI ballast**

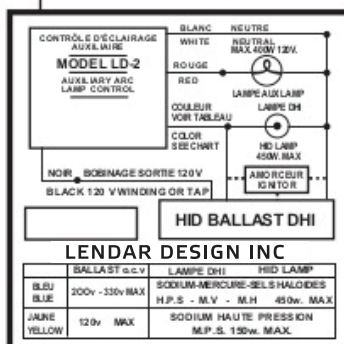


**MODEL LD-2 TYPE 500-N** comes with 1/2 inch bushing that fits in a standard 7/8 inch diameter knock-out.



**MODEL LD-2 TYPE 000-2** comes with one horizontal and one vertical mounting bracket.

The wiring diagram shows how the relay should be connected:



- The **white** lead is the common connection for the neutral of the AC to the ballast, the auxiliary lamp and the HID lamp.
- The **black** lead is connected to the 120 volts either direct from the line or from a tap of the ballast.
- The **red** lead is connected to the auxiliary lamp.
- The **yellow** lead is used for HPS lamp using a ballast having a 120 volts open circuit voltage.
- The **blue** lead is used for all other HID lamps using a ballast having an open circuit voltage of 200 to 330 volts.