

LENDAR DESIGN INC

1360 Mont-Hibou, Sainte-Adèle, Qc, Canada J8B 1X7

Tel.: 450 229-5597

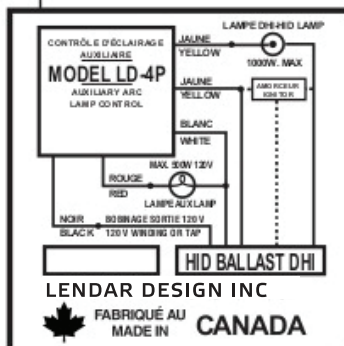
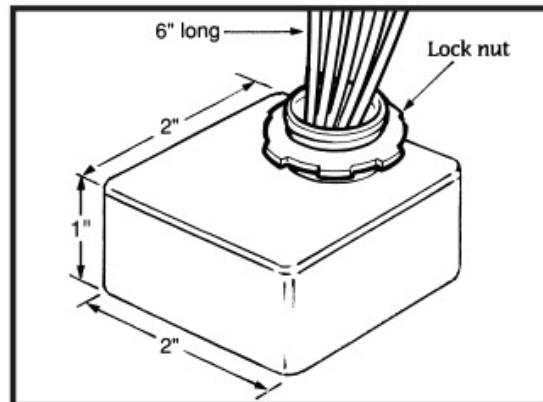
lendar@lendar.com

lendar.com

AUXILIARY ARC LAMP CONTROL Model LD-4P

SPECIFICATION SHEET AND OPERATION

- This relay can be used with autotransformer ballast, isolated ballast or electronic ballast.
- This relay will turn on the auxiliary arc lamp (quartz, incandescent or fluorescent) during a cold start or a hot start and will turn it off automatically 2.25 minutes after HID lamp restrikes.
- This relay can be used on most of HID lamp up to 1000 watts reducing the inventory of relays.
- It is a solid state encapsulated device which makes it compact and noiseless.
- It is supplied with 200°C leads and will work at 96°C.
- It is rated 500 watts at 120 volts for the auxiliary lamp.
- It has a black plastic housing for a better insulation.



The wiring diagram shows how the relay should be connected:

- The **white** lead is the common connection for the neutral of the AC to the ballast and the auxiliary lamp.
- The **black** lead is connected to the 120 volts either direct from the line or from a tap of the ballast.
- The **red** lead is connected to the auxiliary lamp.
- The **yellow** leads are connected in series with the HID lamp to sense current.

LENDAR DESIGN INC
FABRIQUÉ AU
MADE IN CANADA